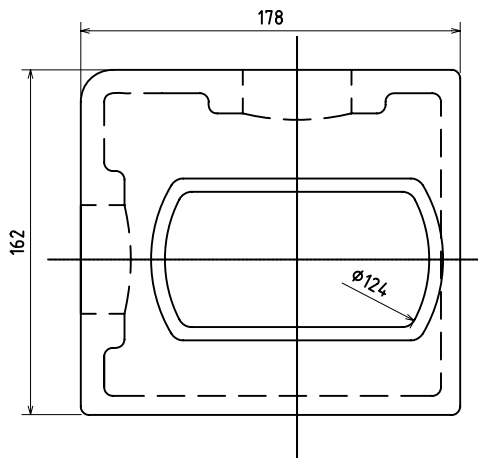
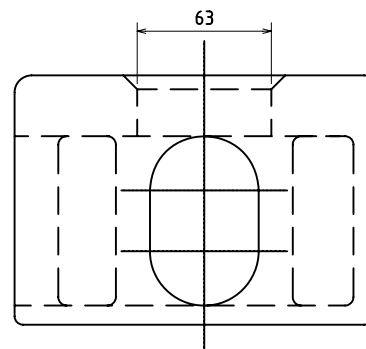
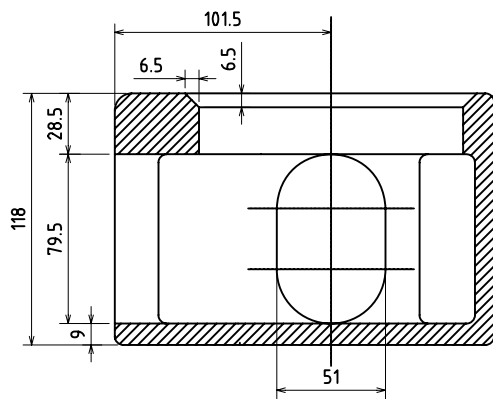


# Container corner

TYPE:DA-E2/R



**Material:** -

**Finish:** Paint

**Weight:**

**M.B.L:Tension:** ISO 1161

**M.B.L:Shear:** -

**M.B.L:Compression:** -